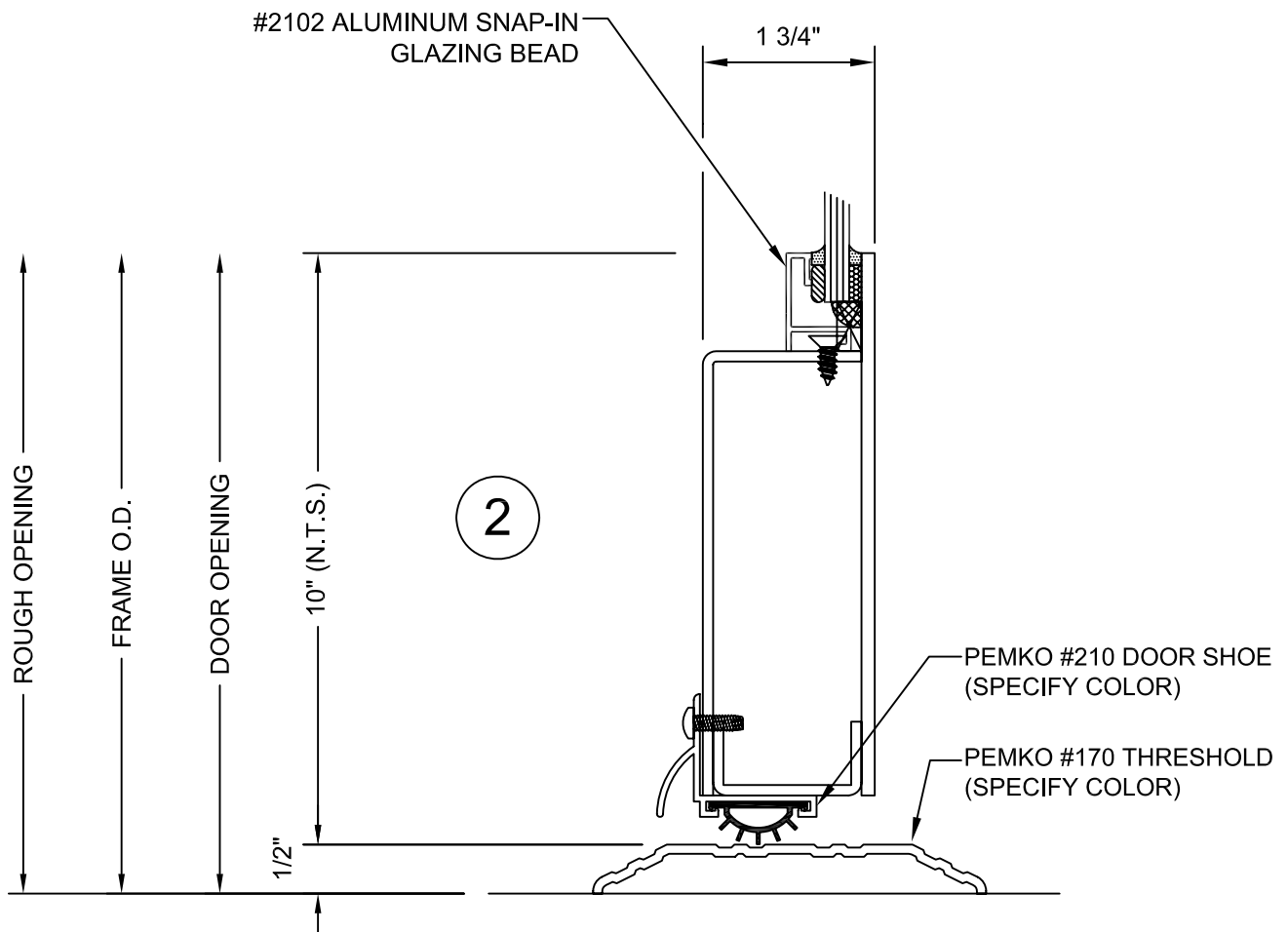
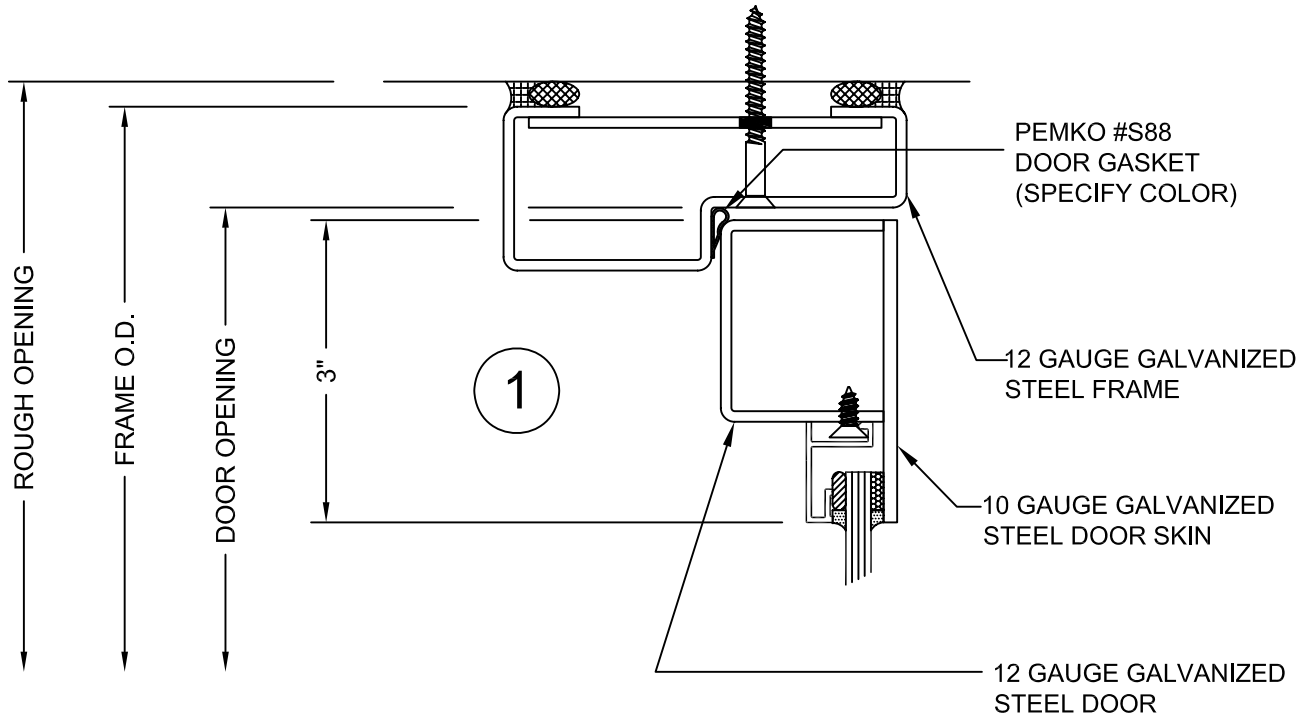


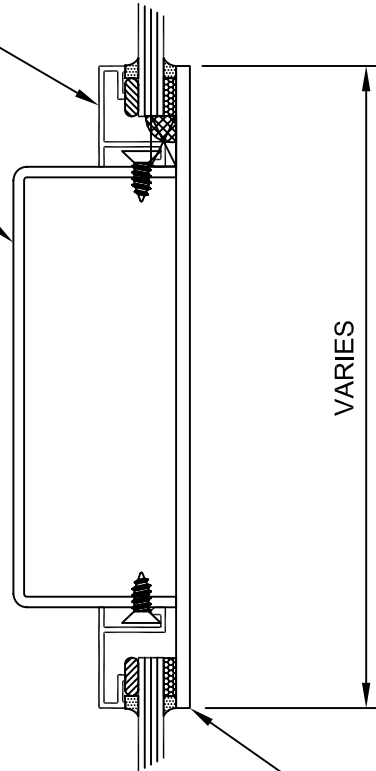
ELEVATIONS ARE VIEWED FROM THE EXTERIOR



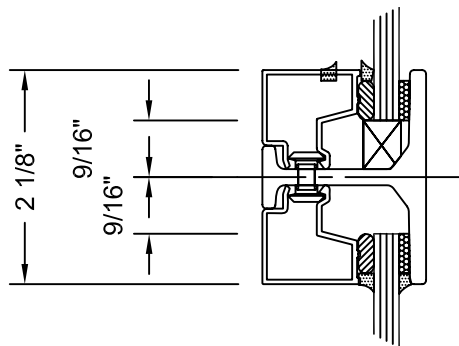
#2102 ALUMINUM SNAP-IN
GLAZING BEAD

12 GAUGE GALVANIZED
STEEL DOOR

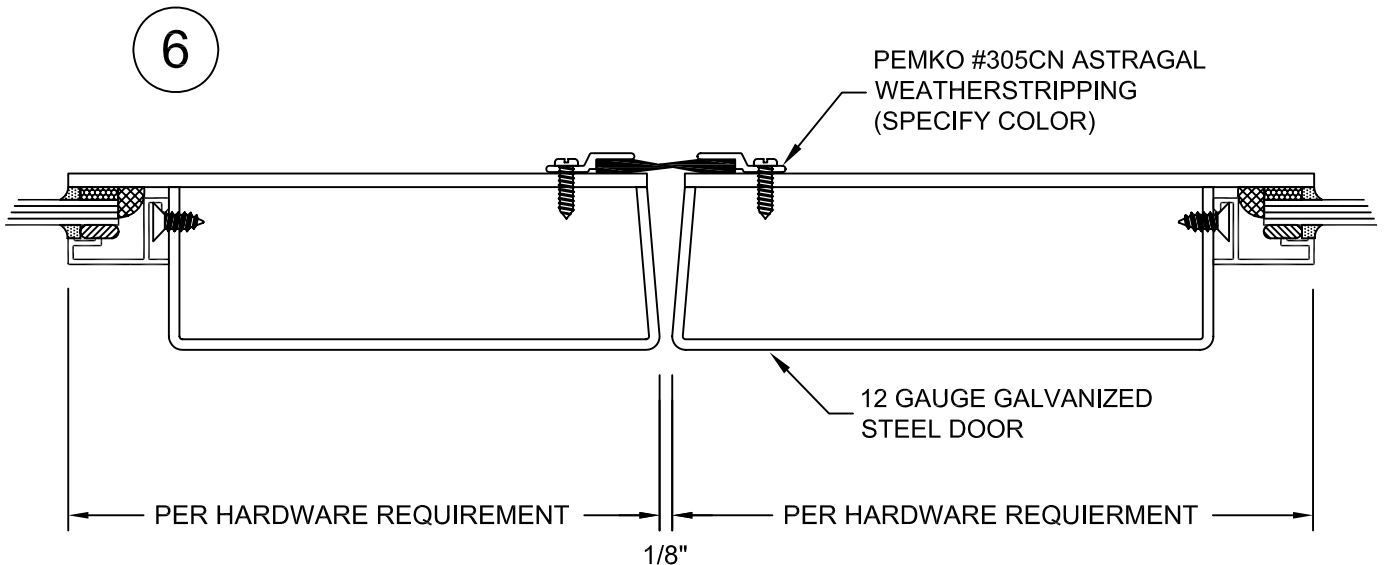
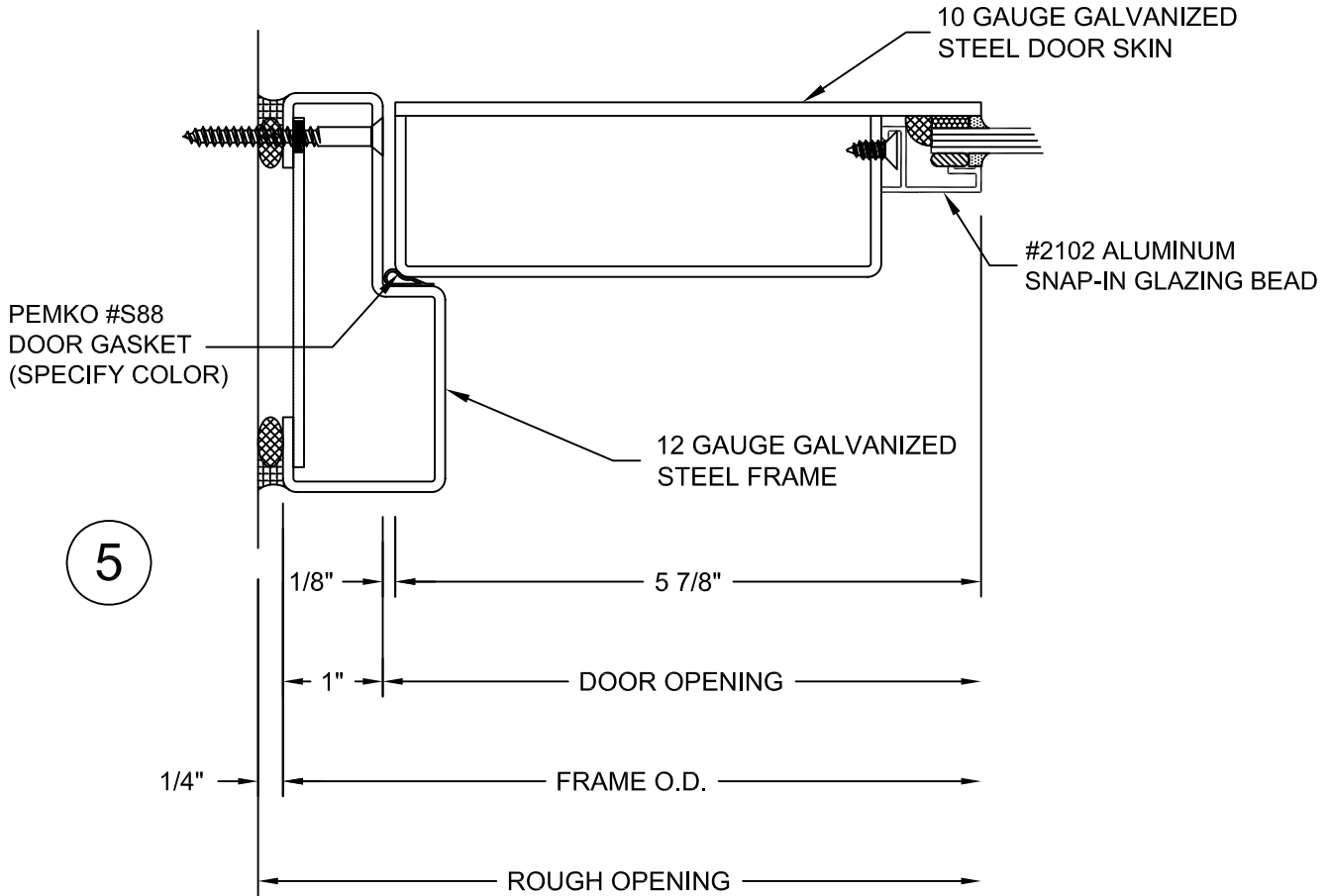
3



10 GAUGE GALVANIZED
STEEL DOOR SKIN



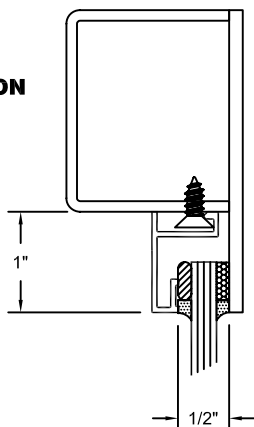
4



NOTE:
THE DETAILS SHOWN ARE FOR OUR STANDARD HARDWARE. CONSULT THE
FACTORY REGARDING ALTERATIONS TO ACCOMMODATE OTHER HARDWARE.

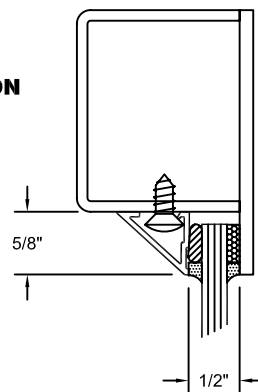
**#2102 ALUMINUM SNAP-ON
GLAZING BEAD**

1/2" GLASS POCKET
1/4" THICK GLASS SHOWN
(ALSO FOR 1/8" & 3/16")



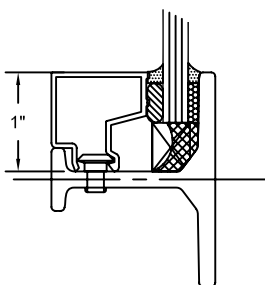
**#2044 ALUMINUM SNAP-ON
GLAZING BEAD**

1/2" GLASS POCKET
1/4" THICK GLASS SHOWN
(ALSO FOR 1/8" & 3/16")



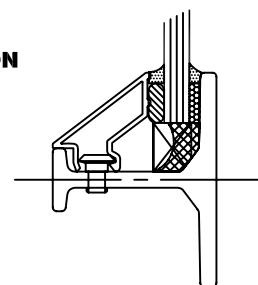
**#S515 ALUMINUM SNAP-ON
GLAZING BEAD**

1/2" GLASS POCKET
1/4" THICK GLASS SHOWN
(ALSO FOR 1/8" & 3/16")



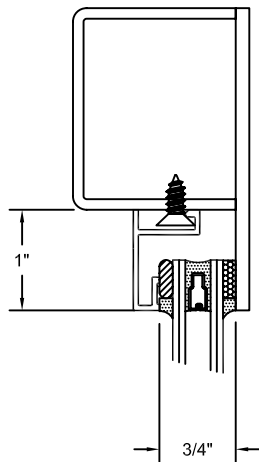
**#S516 ALUMINUM SNAP-ON
GLAZING BEAD**

1/2" GLASS POCKET
1/4" THICK GLASS SHOWN
(ALSO FOR 1/8" & 3/16")



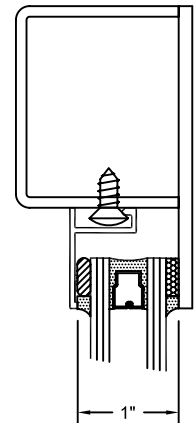
**#2102 ALUMINUM SNAP-ON
GLAZING BEAD**

3/4" GLASS POCKET
1/2" INSULATED GLASS SHOWN
(ALSO FOR 5/16" - 7/16")



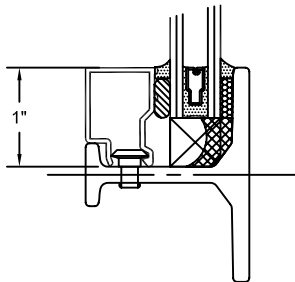
**#2104 ALUMINUM SNAP-ON
GLAZING BEAD**

1" GLASS POCKET
3/4" INSULATED GLASS SHOWN
(ALSO FOR 9/16" - 11/16")



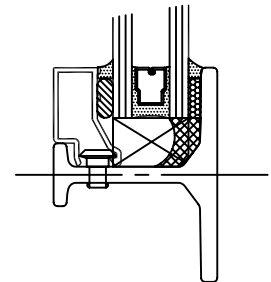
**#S501 ALUMINUM SNAP-ON
GLAZING BEAD**

3/4" GLASS POCKET
1/2" INSULATED GLASS SHOWN
(ALSO FOR 5/16" - 7/16")



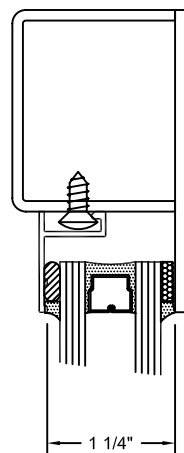
**#S505 ALUMINUM SNAP-ON
GLAZING BEAD**

1" GLASS POCKET
3/4" INSULATED GLASS SHOWN
(ALSO FOR 9/16" - 11/16")



**#2104 ALUMINUM SNAP-ON
GLAZING BEAD**

1 1/4" GLASS POCKET
1" INSULATED GLASS SHOWN
(ALSO FOR 13/16" - 15/16")



**#S506 ALUMINUM SNAP-ON
GLAZING BEAD**

1 1/4" GLASS POCKET
1" INSULATED GLASS SHOWN
(ALSO FOR 13/16" - 15/16")

