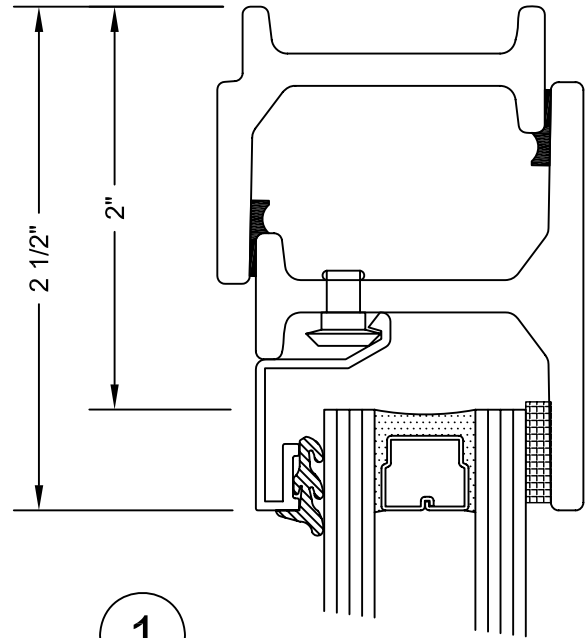
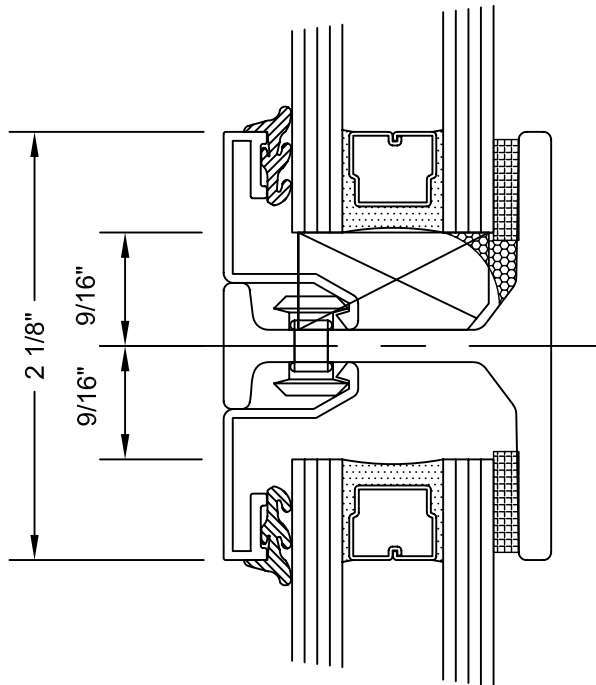


1

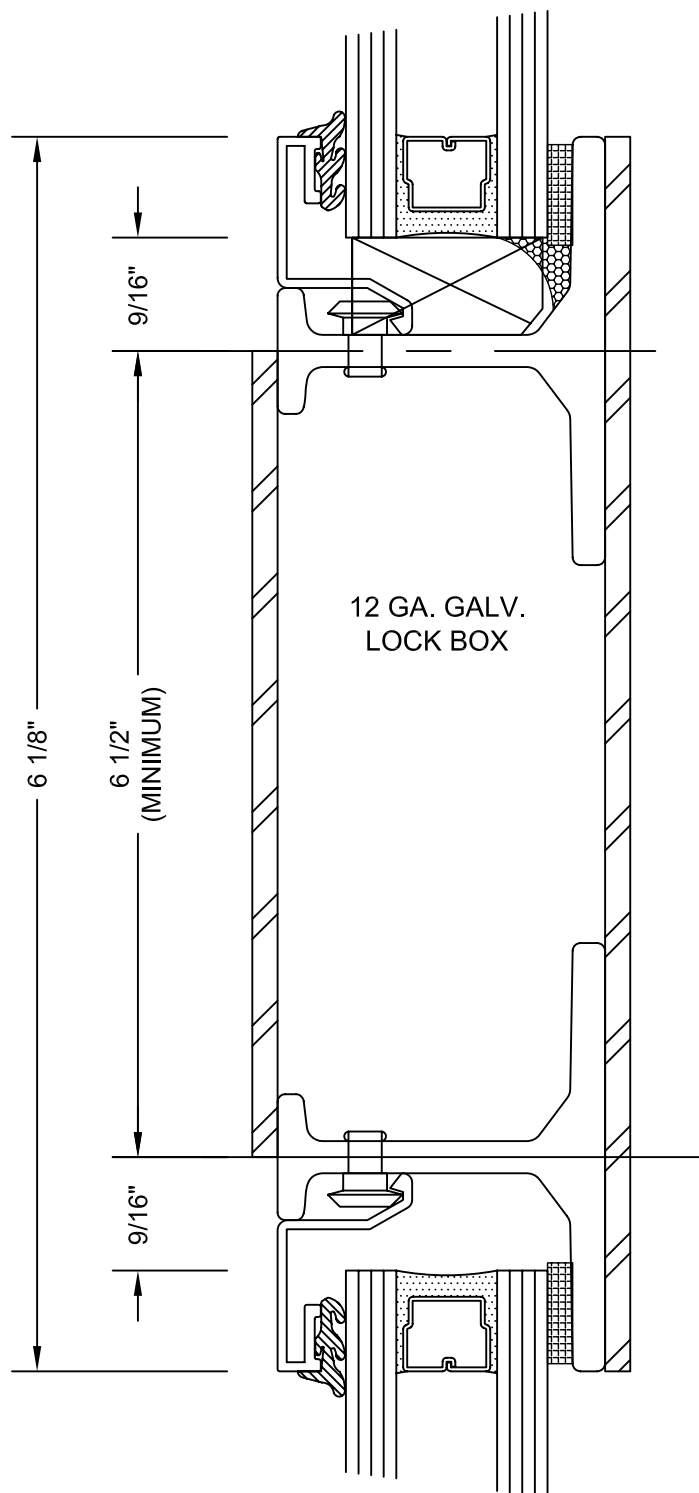


1

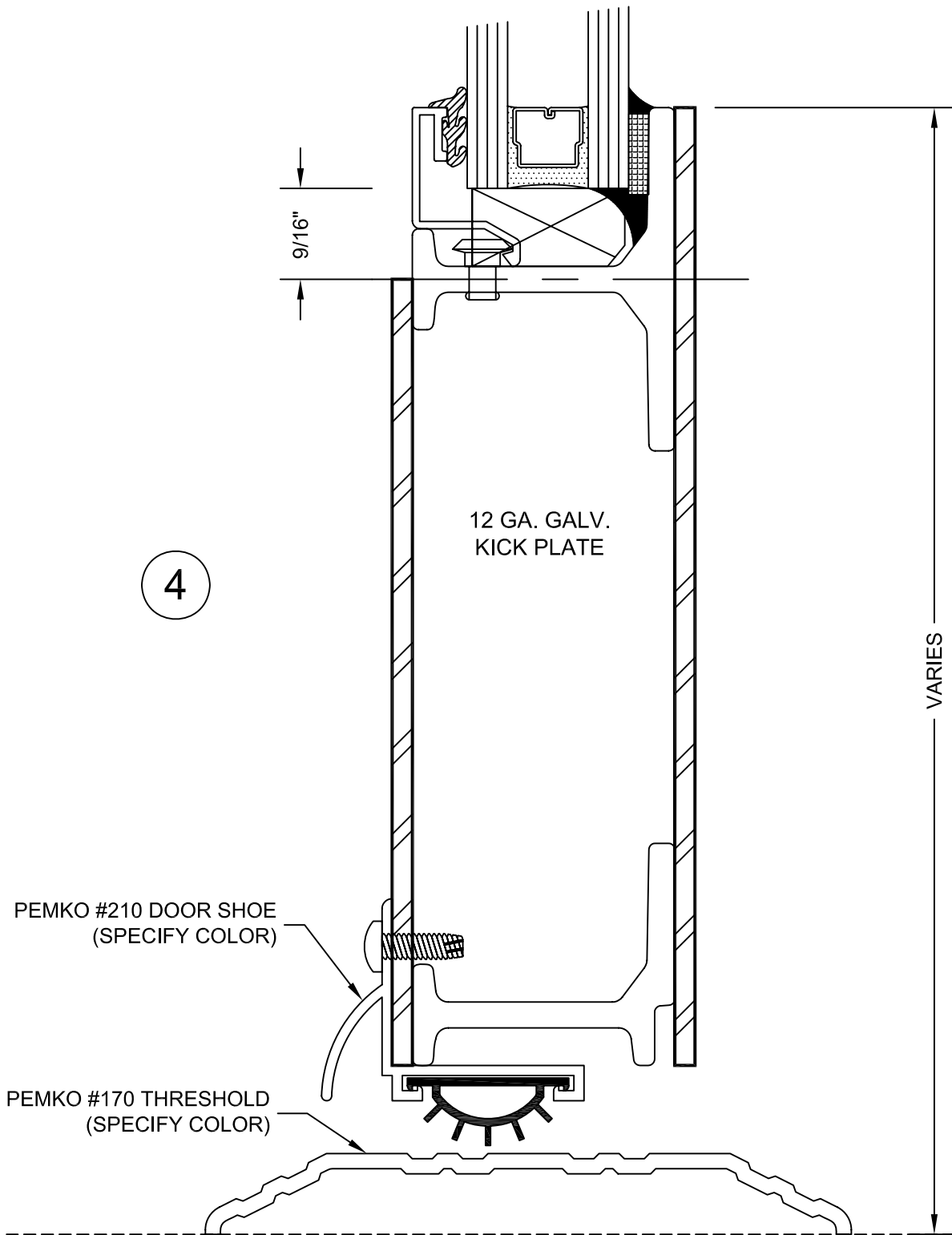


2

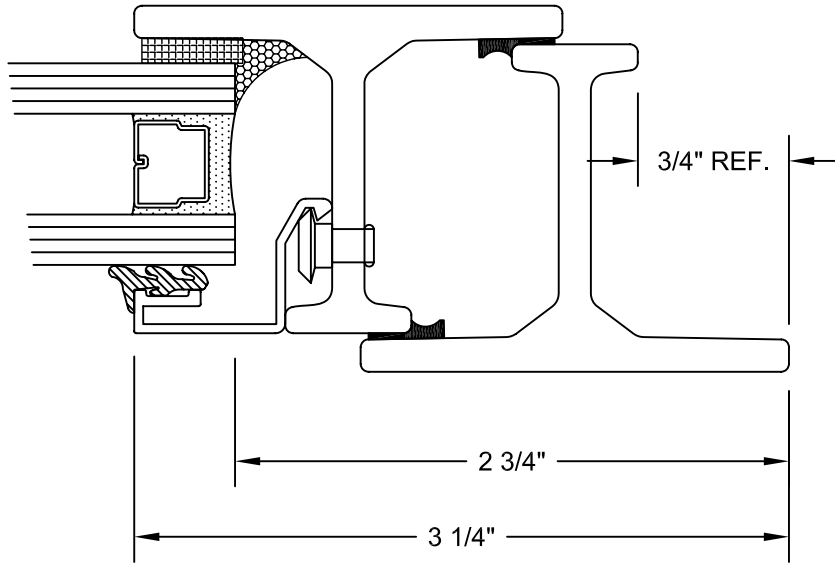
NOTE:
FOR ADDITIONAL GLAZING OPTIONS
SEE HEAVY INTERMEDIATE STEEL WINDOW SECTION.



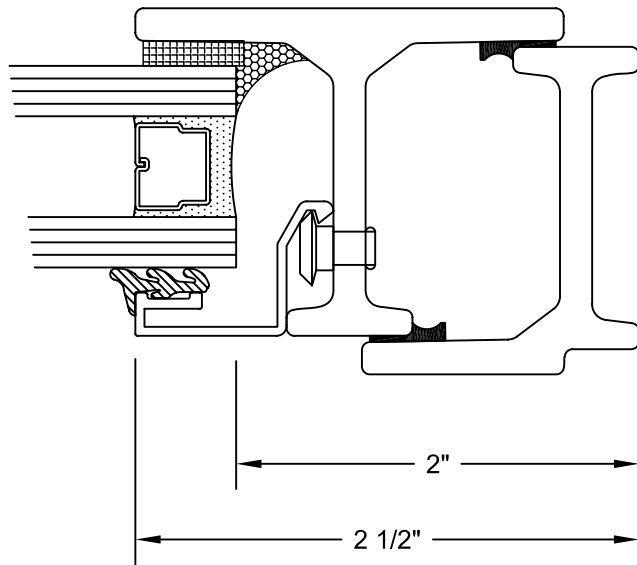
NOTE:
FOR ADDITIONAL GLAZING OPTIONS
SEE HEAVY INTERMEDIATE STEEL WINDOW SECTION.



NOTE:
FOR ADDITIONAL GLAZING OPTIONS
SEE HEAVY INTERMEDIATE STEEL WINDOW SECTION.

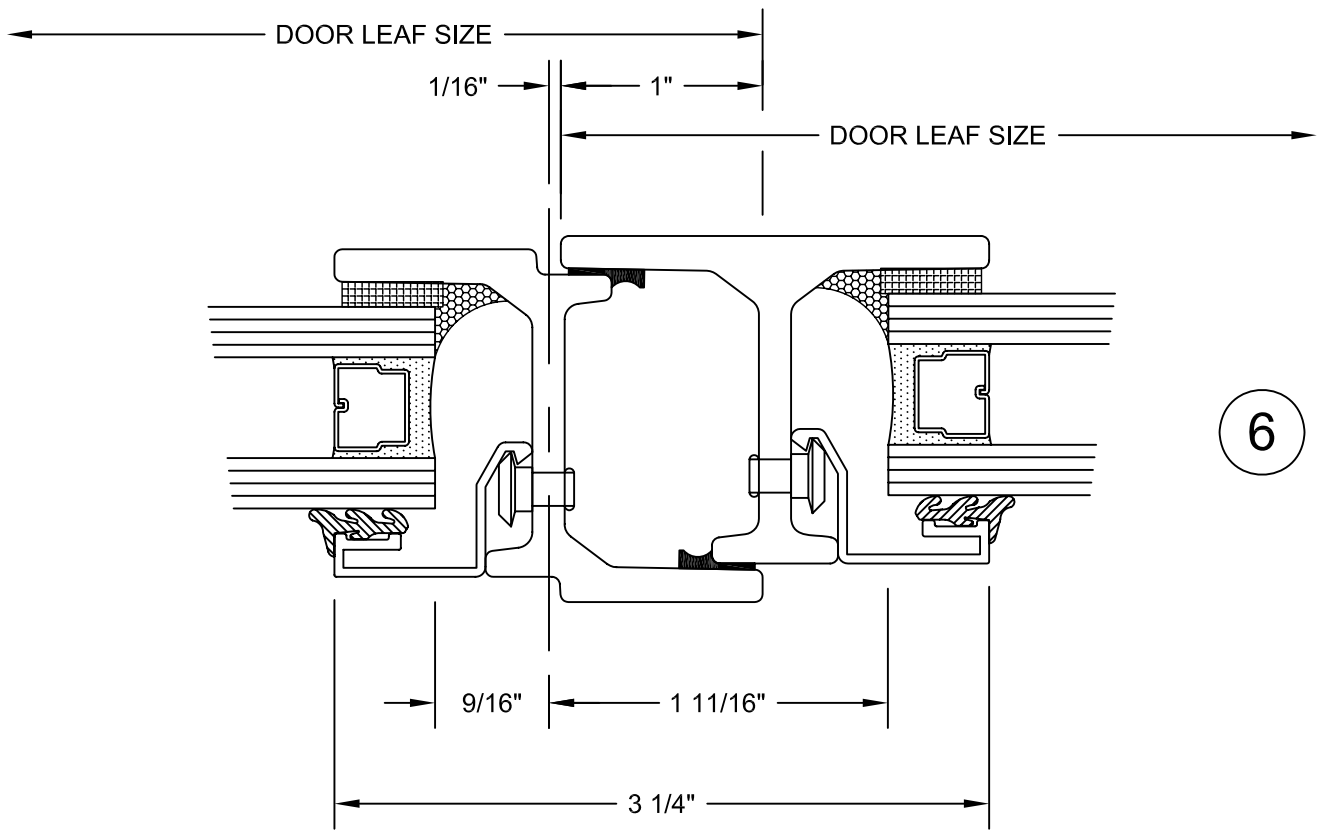


5

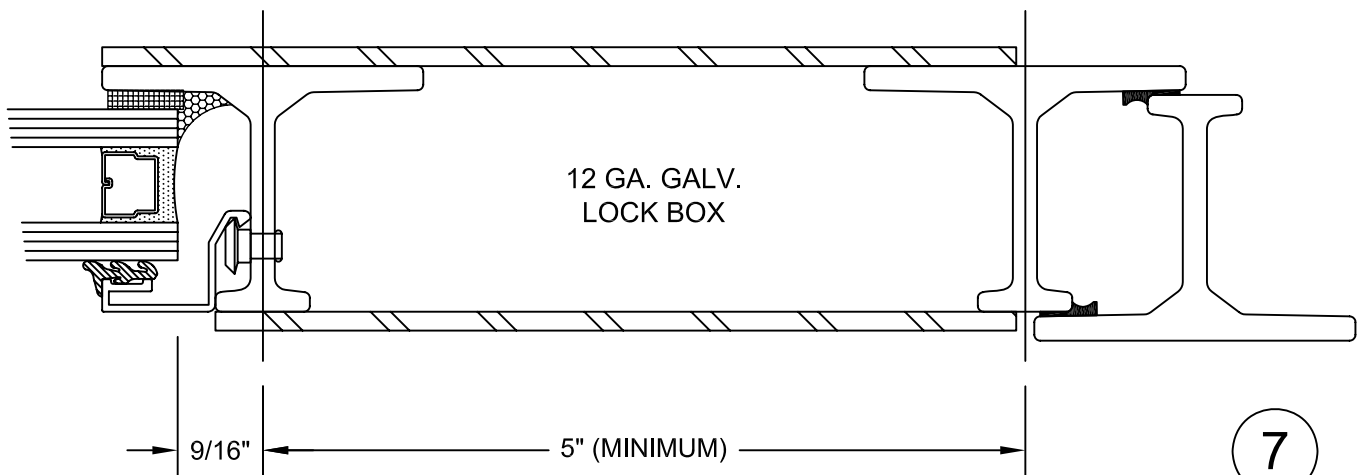


5

NOTE:
FOR ADDITIONAL GLAZING OPTIONS
SEE HEAVY INTERMEDIATE STEEL WINDOW SECTION.



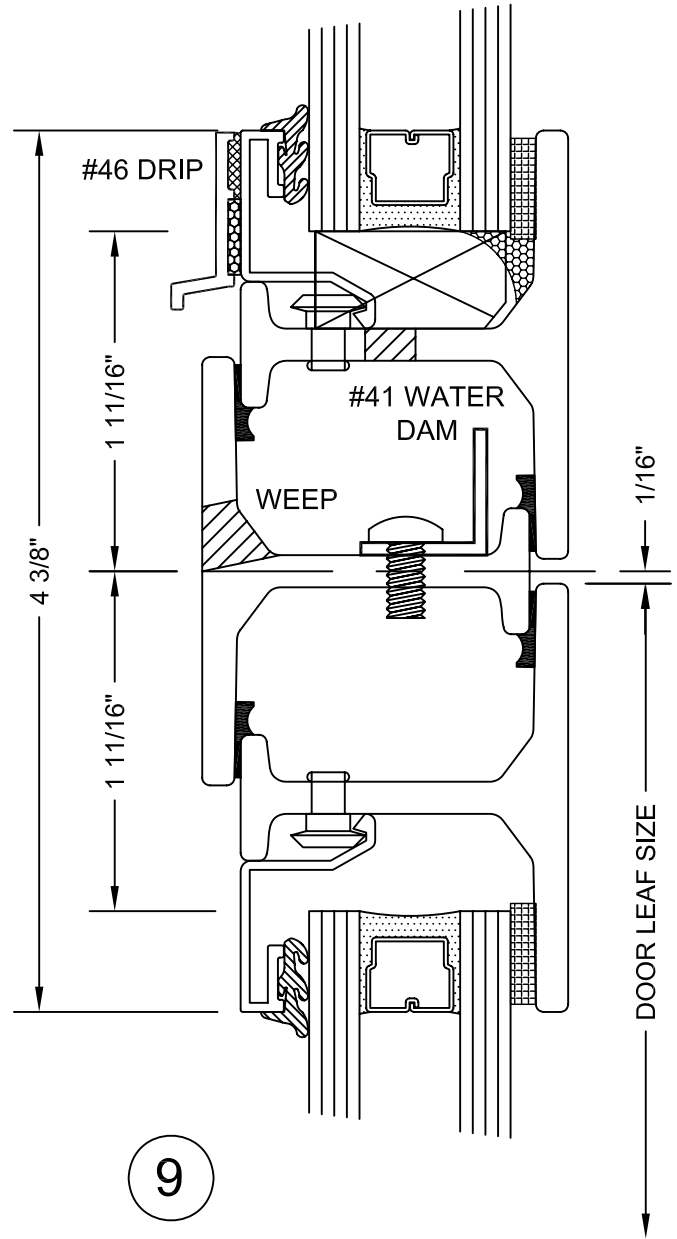
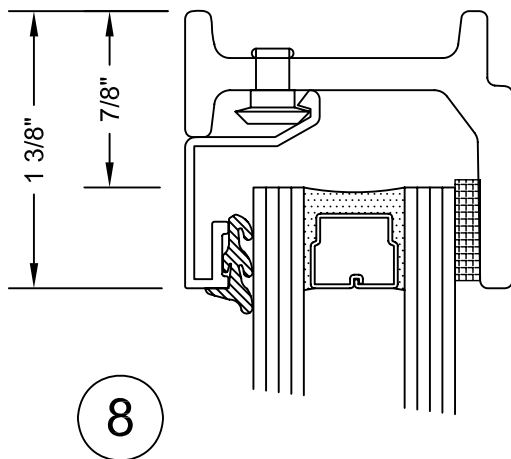
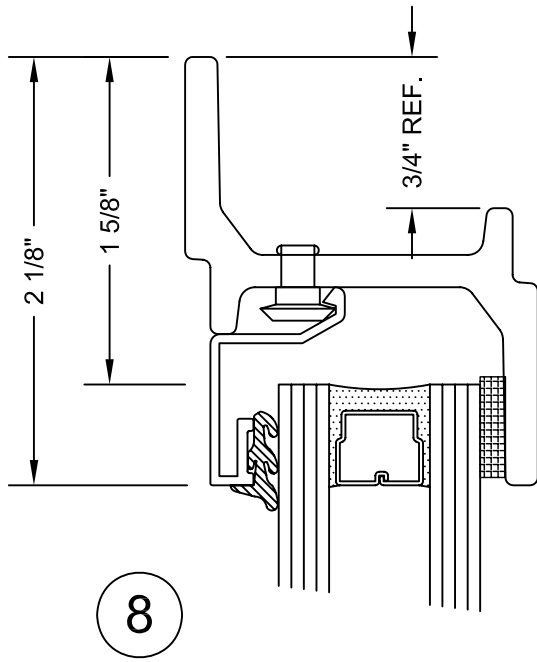
6



7

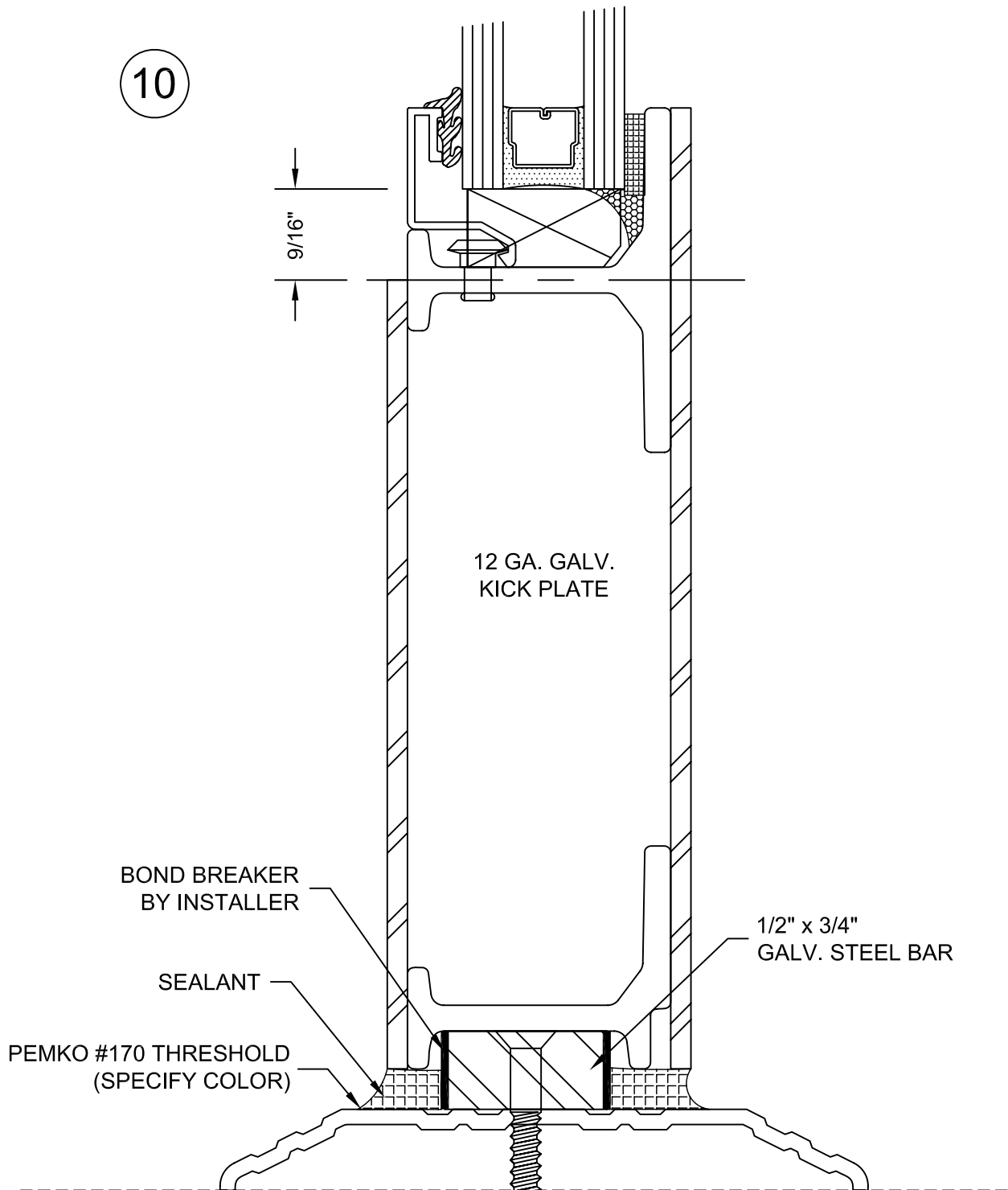
SCALE = 3/4 FULL

NOTE:
FOR ADDITIONAL GLAZING OPTIONS
SEE HEAVY INTERMEDIATE STEEL WINDOW SECTION.

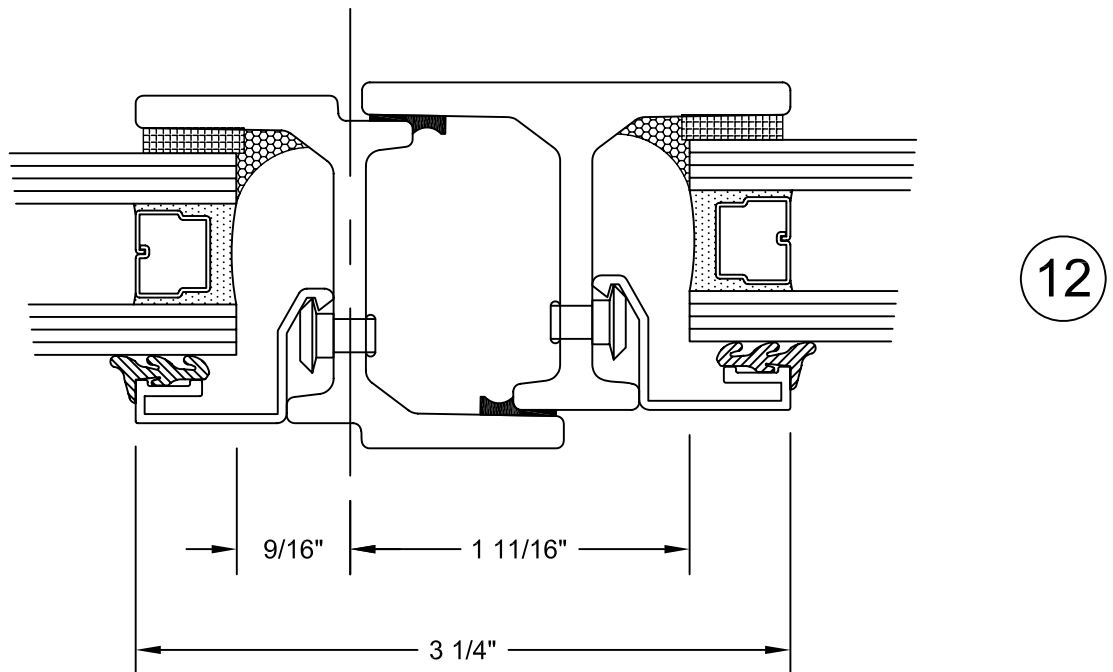
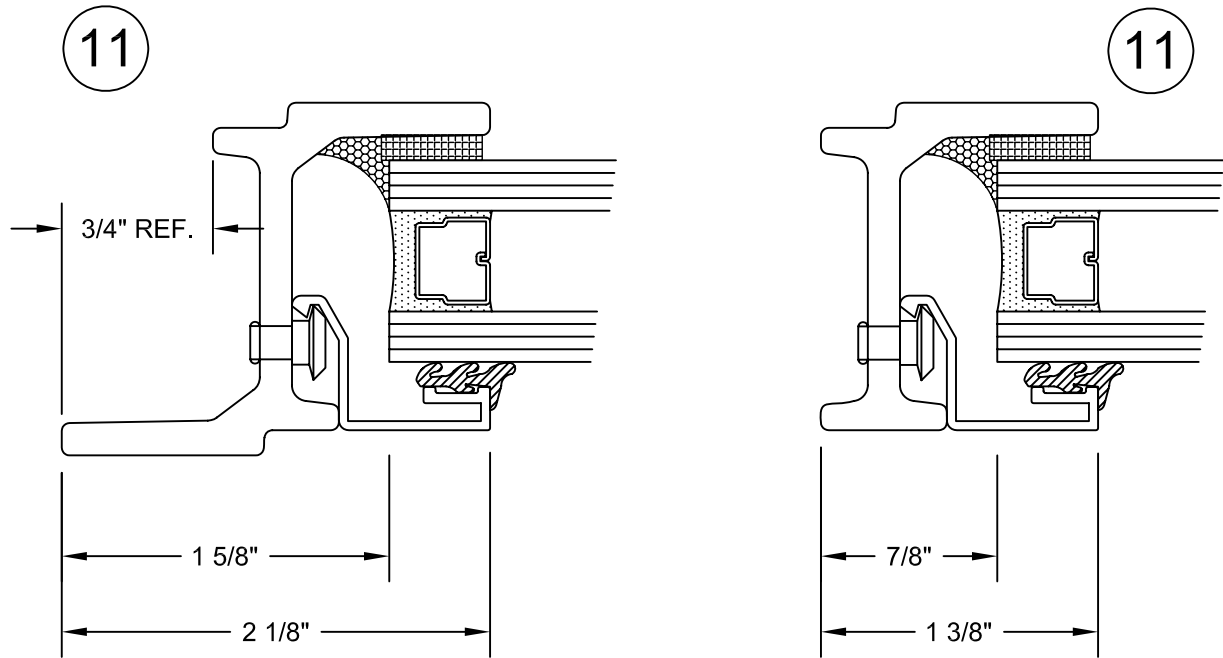


NOTE:
FOR ADDITIONAL GLAZING OPTIONS
SEE HEAVY INTERMEDIATE STEEL WINDOW SECTION.

10

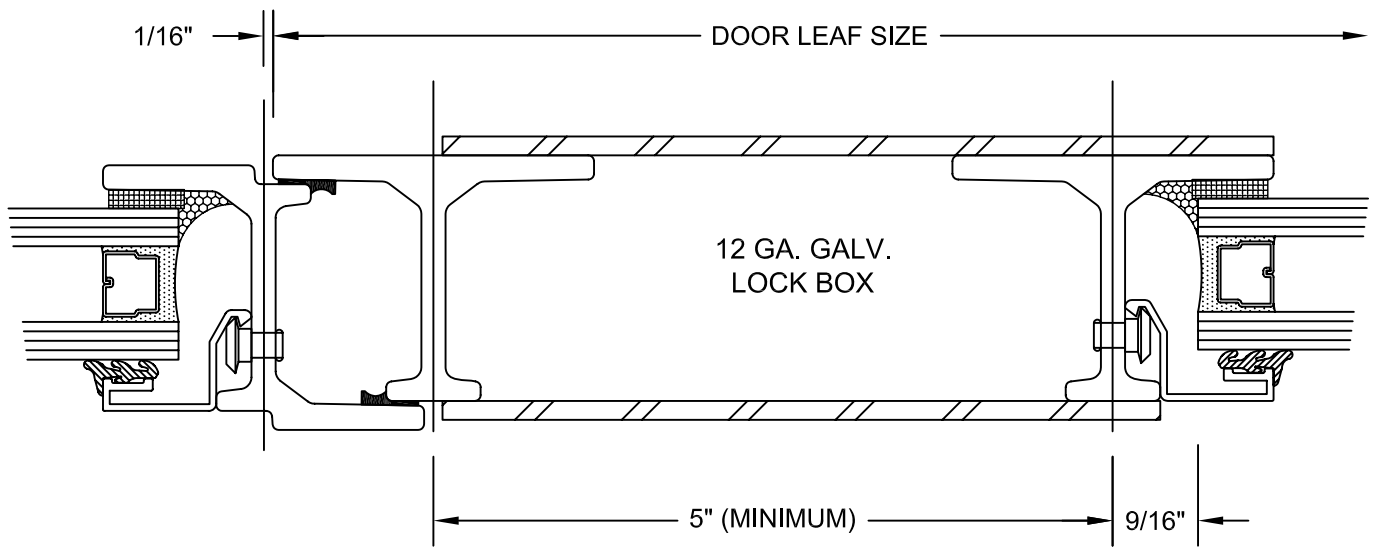


NOTE:
FOR ADDITIONAL GLAZING OPTIONS
SEE HEAVY INTERMEDIATE STEEL WINDOW SECTION.



NOTE:
FOR ADDITIONAL GLAZING OPTIONS
SEE HEAVY INTERMEDIATE STEEL WINDOW SECTION.

13



SCALE = 3/4 FULL

NOTE:
FOR ADDITIONAL GLAZING OPTIONS
SEE HEAVY INTERMEDIATE STEEL WINDOW SECTION.

SHEET D9